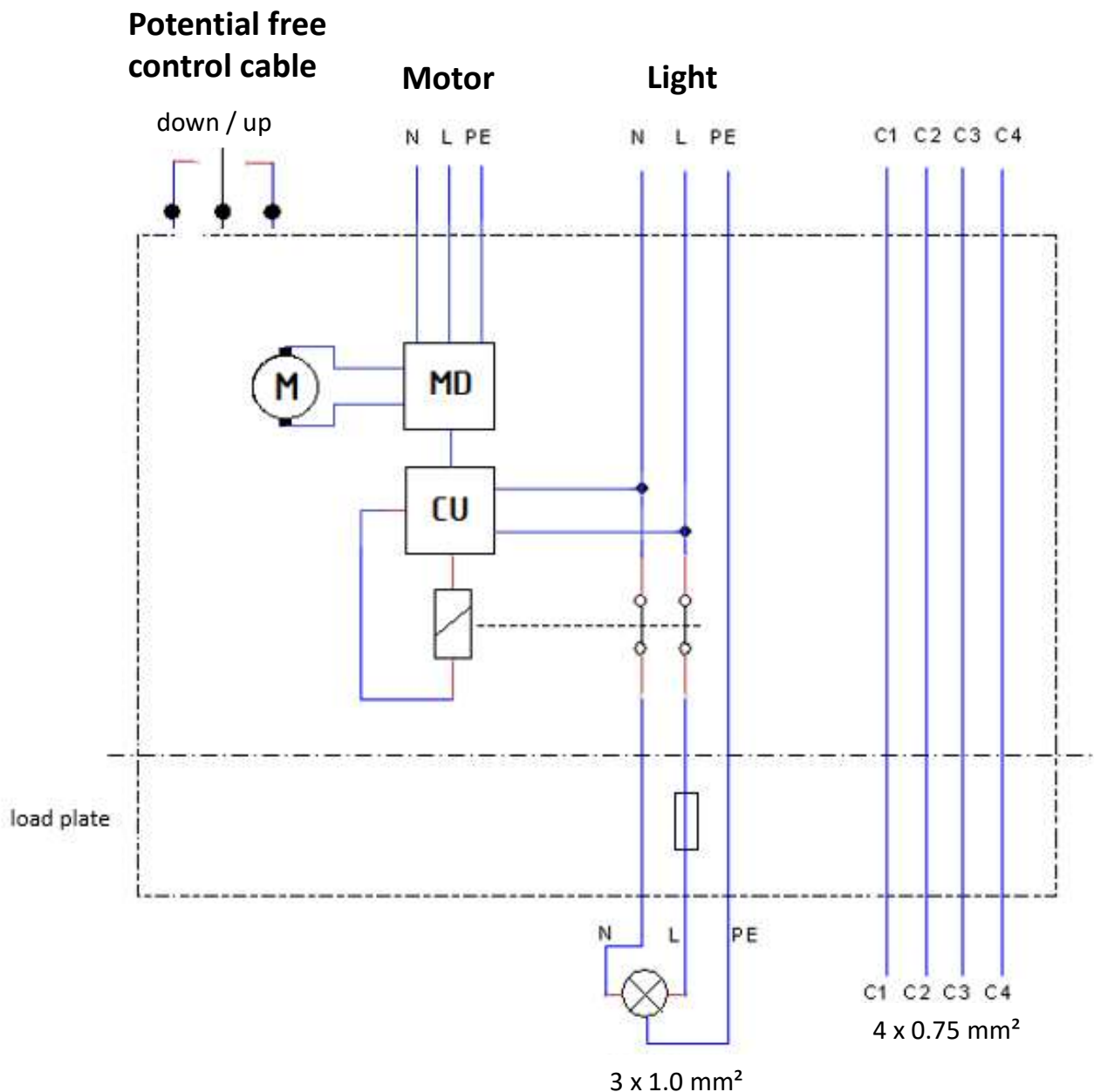


## LUXLIFT LIGHT SERIES

### Circuit diagram



Luxlift HandelsgmbH reserves the right to make changes to the technical data without prior notice. Luxlift HandelsgmbH assumes no liability for typesetting and printing errors. No claims can be derived from the information in this information sheet.